

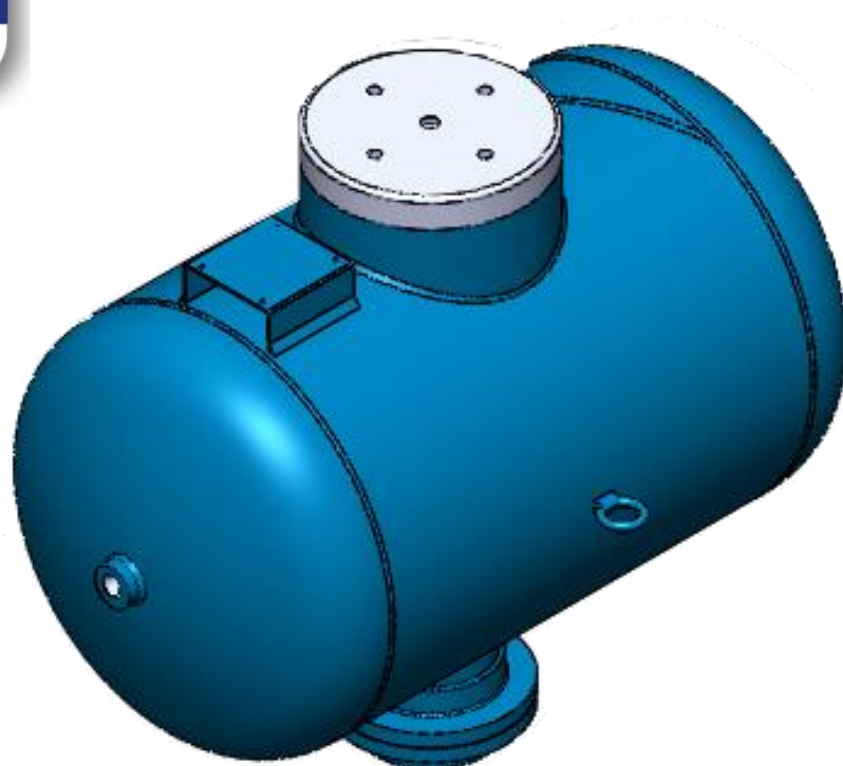
MIDES W[®]

MIDES W[®]

MIDES[®] AIR BLASTERS CATALOGUE

3 ANOS
GARANTIA

3 VEZES
MAIS POTENTE



ADVANTAGES IN COMPARISON OTHER BRANDS

- ✓ **3 TIMES** more **POWER**;
- ✓ **3 YEARS** warranty;
- ✓ **0** maintenance **COST**.

Costumers 100% satisfied

OPERATION:

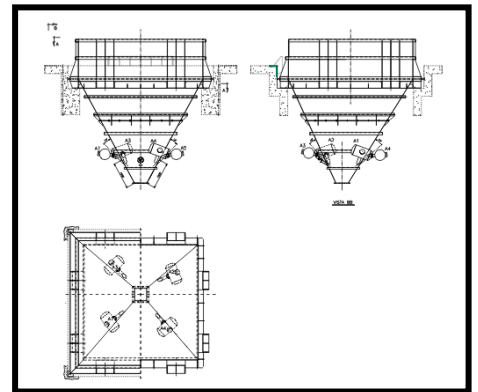
The **MIDES[®] Air Cannon** system is designed to solve obstruction problems due to accumulation and aggregation of materials during flow or storage.

The **MIDES[®] Air Blaster** expels in **1.8 milliseconds** a compressed air load with the **E_c of 115 J** directed to the critical areas where the material accumulates. This E_c produced is enough to unblock the passage and to disaggregate the material from the walls without causing harmful effects in the installation, providing a continuous flow in the discharge and solving all situations of dead zones of material.

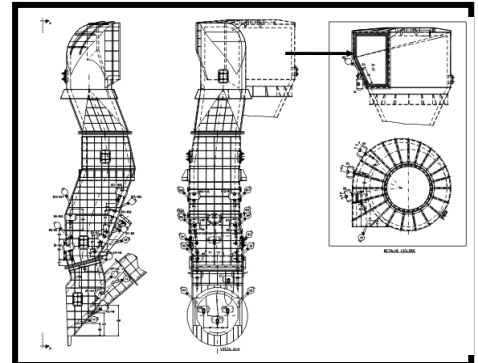
TYPICAL CASES OF APPLICATION:



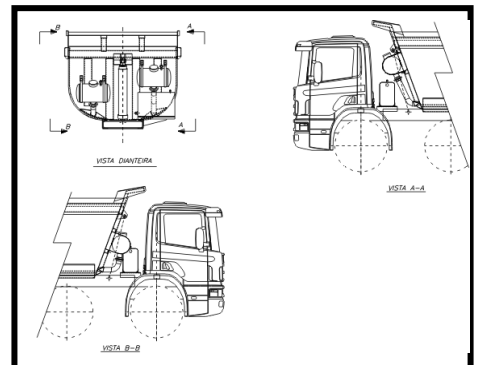
Silos and hoppers for different types of material in the industry.



Tower of cyclones and Clinker cooler.



Bucket trucks for mining.



AIR BLASTER WITH MORE POWER (E_c) THAN ANY OTHER IN THE MARKET

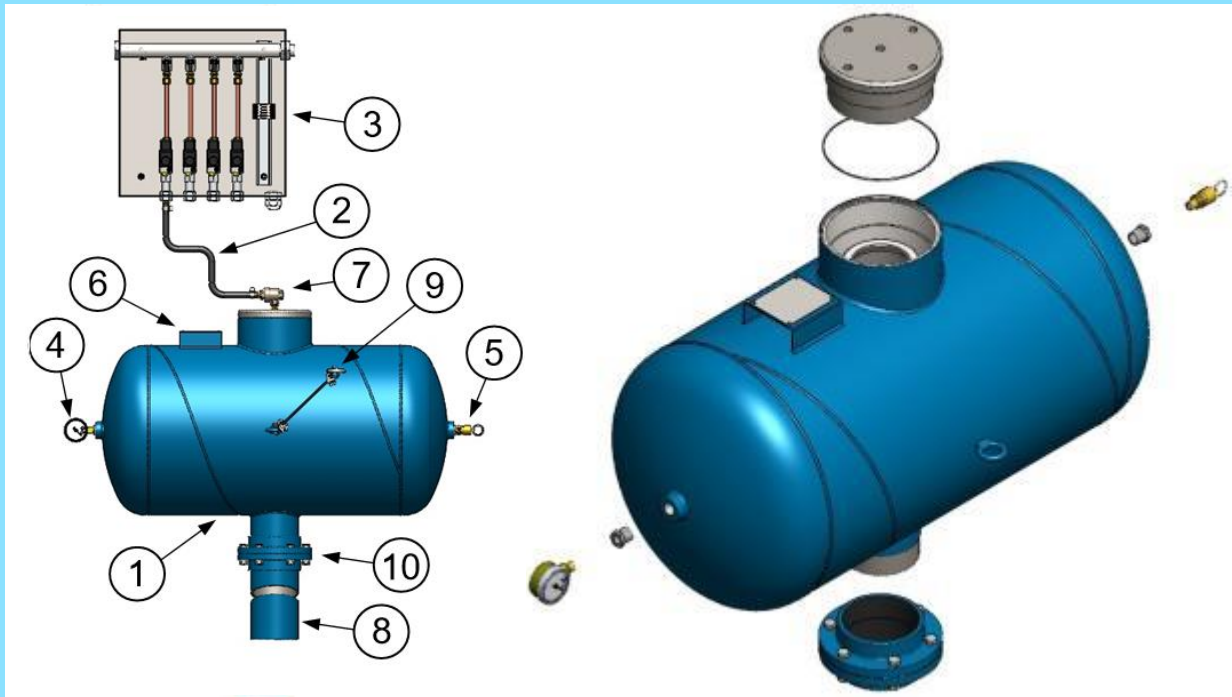
INSTALLATION:

MIDES[®] With more than 34 years of experience in the market, has Engineering services, which studies and executes Cleaning Systems with the installation of MIDES[®] equipment.

All projects have the following documents:

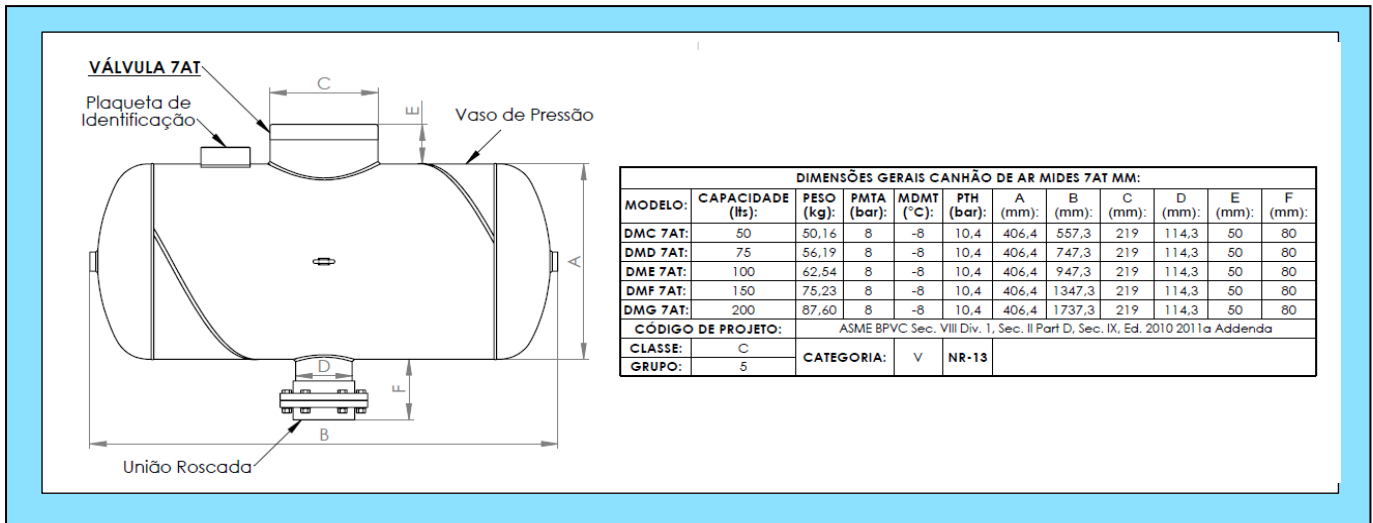
1. Dimensioning and general design of installation with details of positioning and fixation of equipment.
2. Detailed description of electrical, pneumatic and mechanical systems.
3. Functional diagram.
4. Diagrams with the MIDES[®] Air Blaster PLC (Automatic Trigger Control System).
5. Installation, operation and maintenance manuals.

CONSTRUCTIVE DETAILS:



1. MIDESUS Pressure Vessel (ASME CERTIFIED)
2. Copper pipe $\varnothing 3/8$
3. Panel for actuation Valves (Accommodation valves 3/2 way to trigger at distance)
4. MIDES[®] Manometer – 0 – 10 bar (0 a 145 psi)
5. Safety Valve
6. Identification and registration of Air Blaster
7. MIDES[®] Quick Exhaust Valve
8. Discharge Pipe and Nozzles (models defined in the MIDES Project)
9. Safety Cable (pre-assemble).

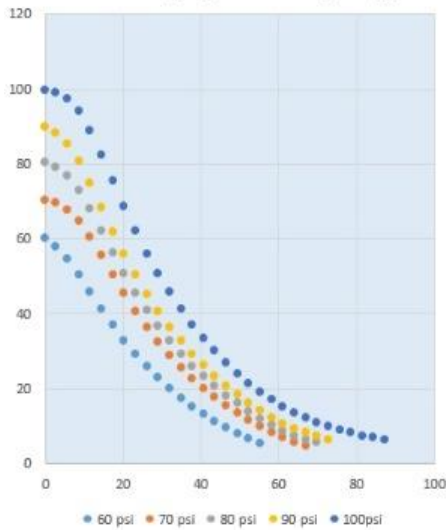
MODELS:



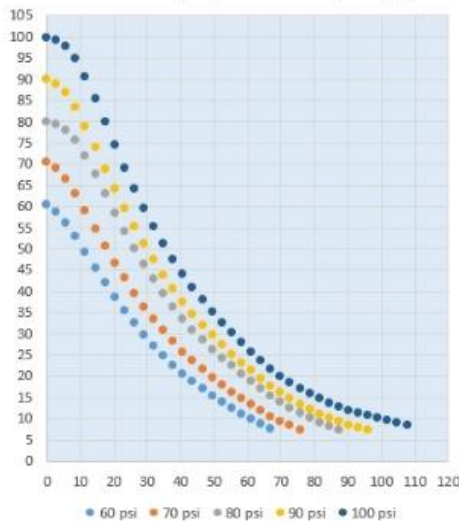
RELEASED ENERGY (Ec):

- Graphics of the most used models:

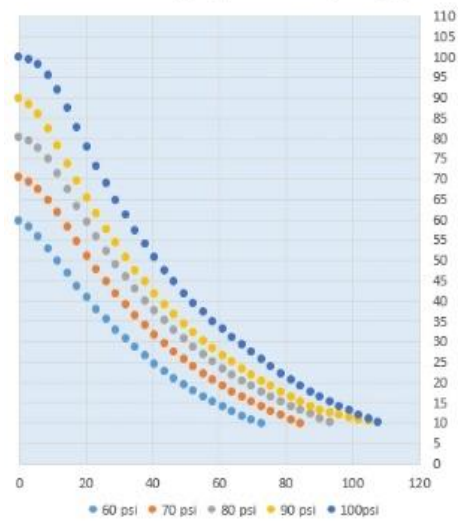
DESCARGA – CANHÃO 50 LITROS
PRESSÃO(psi) X TEMPO(mseg)



DESCARGA – CANHÃO 75 LITROS
PRESSÃO(psi) X TEMPO(mseg)



DESCARGA – CANHÃO 100 LITROS
PRESSÃO(psi) X TEMPO(mseg)



Pressão (psi)	60	70	80	90	100
Tempo Descarga (mseg)	55	67	70	73	79
Energia Cinética (Joule)	12.403	13.444	18.562	24.193	27.932

Pressão (psi)	60	70	80	90	100
Tempo Descarga (mseg)	67	76	87	96	108
Energia Cinética (Joule)	26.946	33.883	39.132	46.248	50.005

Pressão (psi)	60	70	80	90	100
Tempo Descarga (mseg)	73	85	93	105	108
Energia Cinética (Joule)	50.759	61.150	77.840	88.325	115.954



TECHNICAL DATA:

CONSTRUCTIVE NORM	7AT
Building standards / Safety / Quality	ANSI/ASME BPV VIII-1 / NR-13 / ISO 9001 - CE
Temperature max./min. - External Environment	180 °C/-30 °C
PTH: Hydrostatic Test Pressure	10,4 bar (1,04 MPa)
PMTA: Permissible Maximum Working Pressure	8,0 bar (0,8 MPa)
Recommended Working Pressure	7,0 bar (0,7 MPa)
Pressure Range (min./max.)	min.: 5,0 bar / máx.: 7,5 bar
Time to recharge the Vessel	40 seconds at 6 bar
Residual Pressure in the Vessel After the Discharge	< 1,0 bar
Pressure Air Quality	Standard Industrial Air

MAIN FEATURES:

Efficiency:

MIDES® Air Blaster is the **only** equipment available on the market that allows more energy in the release of compressed air. Being the equipment with greater speed of releasing of the compressed air that is in the vessel, **surpassing its competitors in 3 times more E_c**.

Quality:

» Its constructive design and applied materials allow to have the **most reliable equipment** capable of withstanding the most adverse environmental conditions of work.

» **Valves 100% metallic**, does not use any type of elastomer;

» **Working temperature from -20°C a 450°C**, supporting temperature gradients between internal valve elements up to 400°C.

Cost:

- **Low operating cost**, because the MIDES® Valve has the highest discharge speed, the capacity to do the work increases, **it allows to reduce cost in the consumption of compressed air**.

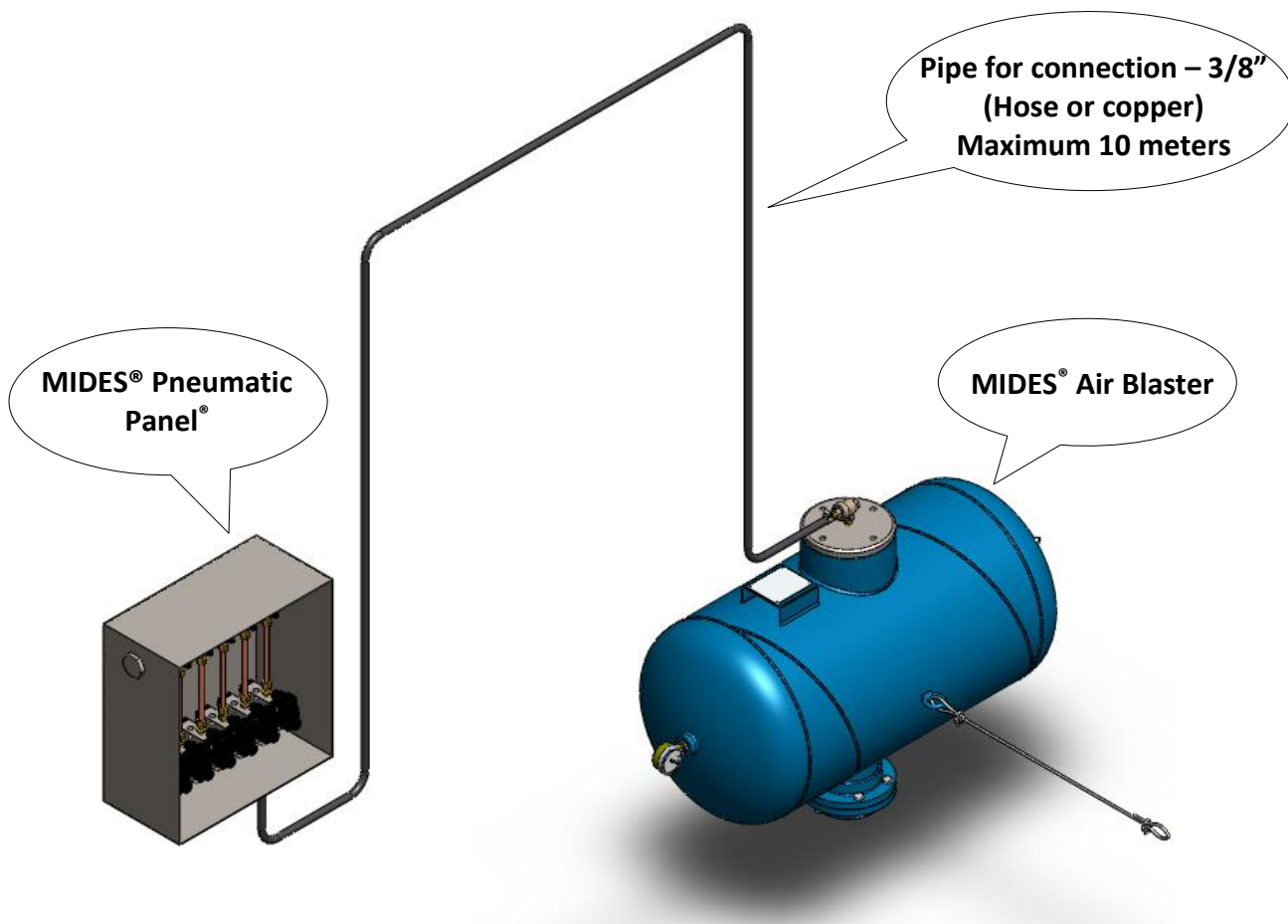
- **Low maintenance cost** because the MIDES® Valve does not require preventive maintenance and the **Valve does not need repair or replacement kits**.

- **Longer useful life**, has guarantee of MIDES® for 3 years. This is already the lowest cost in human intervention and in spare parts. **(More than 1.000.000 firings no matter the interval between and in high aggressive environment)**.

- In case of stopping the equipment during a long-depressurized period, simply unscrew the valve, **wipe the contact surfaces with a cloth and screw the valve back into the vessel**.



TYPICAL INSTALLATION OF MIDES® Air Blaster:



BEST MARKET EQUIPMENT - PROVEN BY OUR CUSTOMERS



- ✓ 3 TIMES MORE POWER
- ✓ 3 YEARS WARRANTY
- ✓ NO MAINTENANCE COSTS
- ✓ BEST PERFORMANCE IN ALL ENVIRONMENTS



WARRANTIES:

EQUIPMENT: Three-year warranty against defects in material or workmanship, equipment components included. **(More than 1.000.000 firings, no matter the interval between firings).**

Equipments not manufactured by MIDES warranty is for 1 year.

INSTALLATION: 100% improvement in facilities projected by MIDES®.

TECHNICAL ASSISTANCE: Through local technician accredited by MIDES®.

CE STAMP

Bireau Ventas S.A. is a Notified



Body under the number 0062

**ATTESTATION D'APPROBATION DE SYSTEME DE QUALITE
CERTIFICATE OF QUALITY SYSTEM APPROVAL
N° CE-PED-H-MID 001-05-BRA**

ISO 9001



MANUFACTURER:

MIDES Indústria e Comércio Ltda.

**Rua Prefeito Cecé n° 580 – Cachoeira Grande
CEP. 33.600-000 - Pedro Leopoldo - MG – Brasil
E-mail: mides@mides.com.br
Website: www.mides.com.br**